

Cluster™ LED Round Head UQLXN500-2LED Series

Thermoplastic LED combination unit



Construction

- UV stabilized thermoplastic body
- Fully adjustable and reversible Cluster™ LED glare-free heads
- 6 inch EXIT lettering legend, available in red or green
- Universal faces (2 faceplates, 1 backplate)
- Field selectable chevrons

Mounting

- Surface mount
- Canopy included for ceiling mount applications
- Universal J-Box mounting finishes

Type of battery

3.6V Nickel-Cadmium battery

Lamp Head Source

White LED 3.6V-4W, with life expectancy 50,000+ hours

Power consumption chart

Series	Current (A) / Power (W)	
	120VAC, 60Hz	277VAC, 60Hz
UQLXN500R-2LEDR	0.044/3.56	0.037/4.06
UQLXN500G-2LEDR	0.042/3.2	0.036/3.8

Cluster™ LED Family



Quick™ QLX & QLXN
Exit series
PG. 38-39

Cluster™ LED
LCA-2LEDR Unit &
ELF652D Remote
Head Series
PG. 78-79

ELF652D/LED
Remote head
PG. 79

ELF652D/
LED-WP
Remote head
PG. 79

Electronics

- Optional Improved Diagnostics
- 120/277 60Hz

Approvals

- UL 924 listed
- Damp location (50F to 104F)
- UL 94, 5VA flame rated

Warranty (subject to proper installation and maintenance)

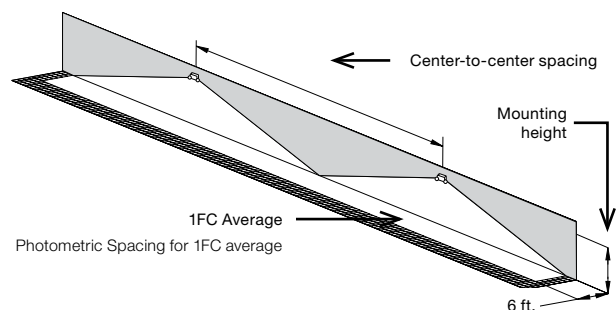
Three-year full warranty

Detailed warranty terms located on [page 182](#) or online at: www.lightalarms.com



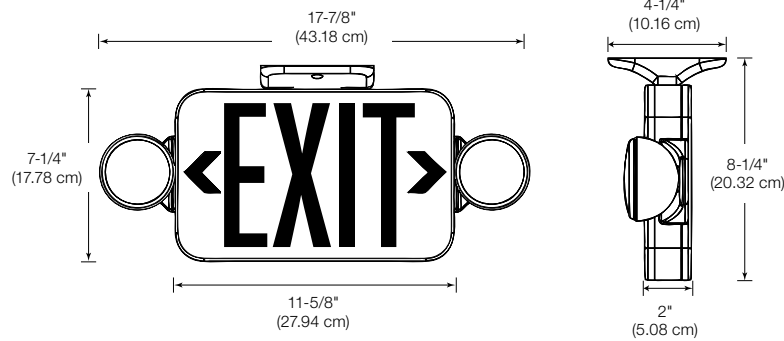
Photometric performance

Spacing center-to-center (feet)	Spacing center-to-center (feet)	
	7 feet mounting height	15 feet mounting height
	15'	4'



Dimensions (Dimensions are approximate and subject to change):

Combination unit



Ordering format – UQLXN500-2LED

Series	Legend color	Lamp	Capacity	Color
UQLXN500	R= Red G= Green	-2LED= Cluster™ LED head style	Blank= No Option R= Remote capacity¹ RID= Remote capacity and Improved Diagnostics¹	Blank= Mist-white B= Black

Example: UQLXN500R-2LEDR

¹ Remote capacity can only be used to power the ELF652D/LED or ELF652D/LED-WP remote fixtures or to extend the battery units emergency run time beyond the standard 90 minutes.

ELF652D/LED Series

Indoor remote head



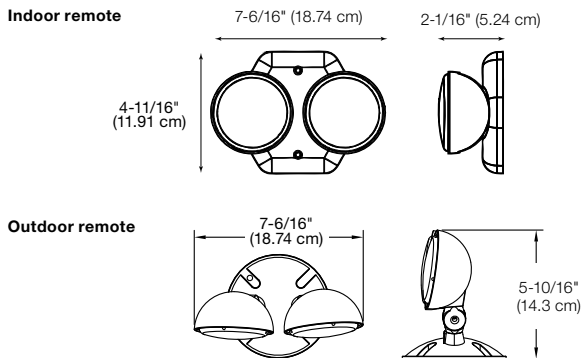
ELF652D/LED-WP Series

Outdoor remote head



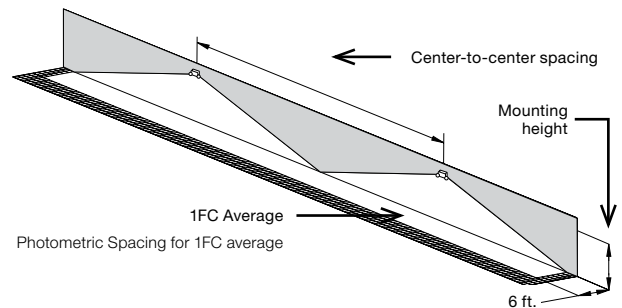
The Cluster™ LED ELF652D/LED Remote head can ONLY be powered from the UQLXN-2LED combo or LCA 2LED battery units of the same family. Used for internal or external applications, the indoor remote head draws 3.6V-3.6W and Weather-Proof head draws 3.6V-3.8W

Dimensions



Photometric performance

Spacing center-to-center (feet)	
7 feet mounting height	15 feet mounting height
15'	4'



Ordering format

Series	Number of heads	Lamp	Option
ELF652	D= Double head	/LED= Cluster™ LED head style	Blank= Indoor use only -WP= Weather-proof

Example: ELF652D/LED